

# CUT-Line

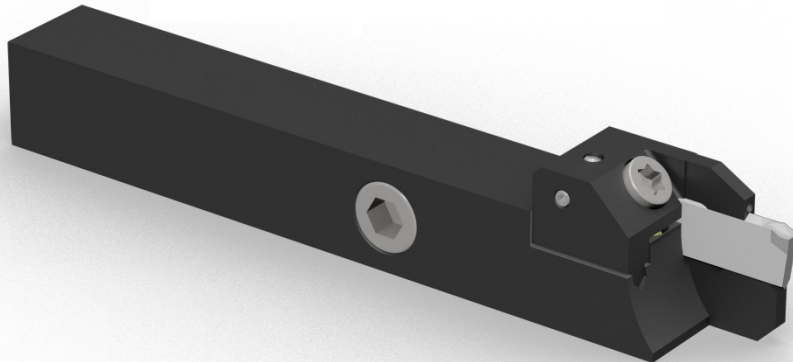
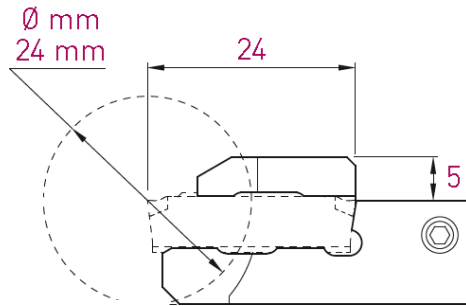
Porte-outils avec / sans arrosage intégré

Halter mit / ohne integrierter Kühlmittelzufuhr

Holders with / without integrated coolant supply

CUT 22 – Ø 24 mm

HF Series / HF-JET Series



| L                      | R                      |
|------------------------|------------------------|
| Art. N°                | Art. N°                |
| CUT22-H1012LF-D24      | CUT22-H1012RF-D24      |
| CUT22-H1012LF-JET24    | CUT22-H1012RF-JET24    |
| CUT22-H1212LF-D24      | CUT22-H1212RF-D24      |
| CUT22-H1212LF-JET24    | CUT22-H1212RF-JET24    |
| CUT22-H1212LF-90-D24   | CUT22-H1212RF-90-D24   |
| CUT22-H1212LF-90-JET24 | CUT22-H1212RF-90-JET24 |
| CUT22-H1616LF-D24      | CUT22-H1616RF-D24      |
| CUT22-H1616LF-JET24    | CUT22-H1616RF-JET24    |
| CUT22-H2020LF-D24      | CUT22-H2020RF-D24      |
| CUT22-H2020LF-JET24    | CUT22-H2020RF-JET24    |



**APPLITEC**  
SWISS TOOLING